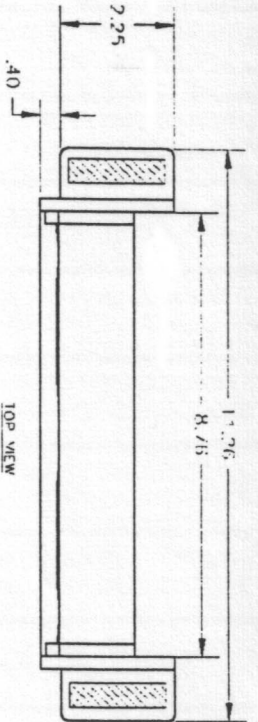


STOWED

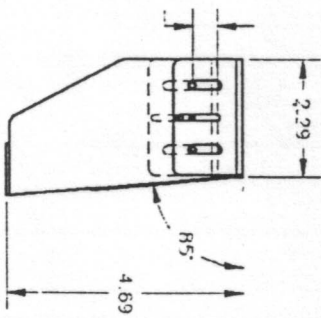


FASTENER ZONES
2X

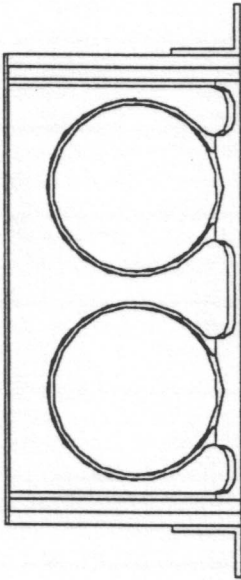
TOP VIEW

ADJUSTMENT
.50

SIDE VIEW

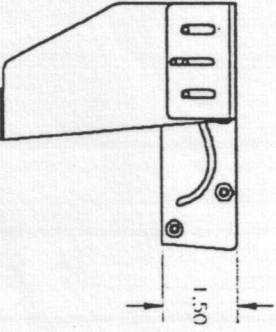


UPPER VIEW

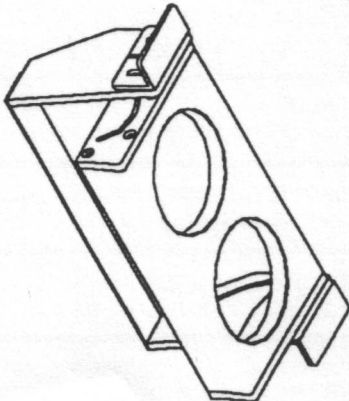
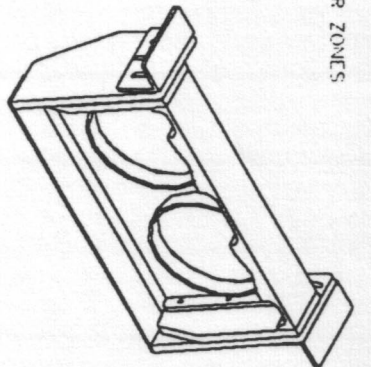
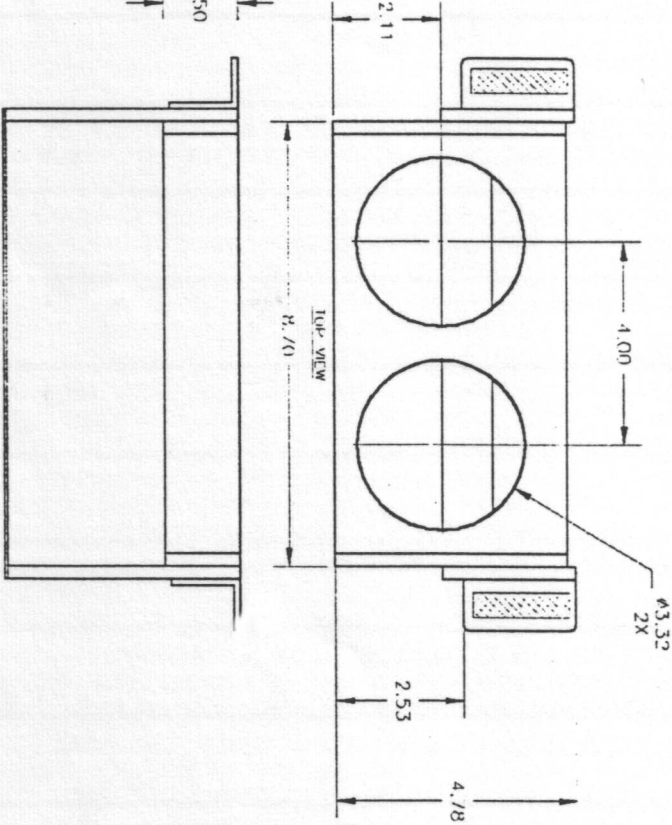


DEPLOYED

SIDE VIEW



UPPER VIEW



St. Louis Designs, Inc. PO Box 3400 512-707-7127
Austin, TX 78764 st-louis@swbell.net

Client Co.	N/A
Contact:	
Project:	7100
DWG Title:	TWO PLACE TILT CUP HOLDER
File Name:	7100-2
Part Number:	7100-2
Material:	SEE PART DETAILS
Specifications:	
Finish:	SEE PART DETAILS
Spec.:	
Size:	C
Scale:	FULL
Revision:	IR
Date:	11/24/99
Status:	PROPRIETARY
Tolerances:	All Machined Surfaces 3/16 Holes 3/64 Angles ± 1°