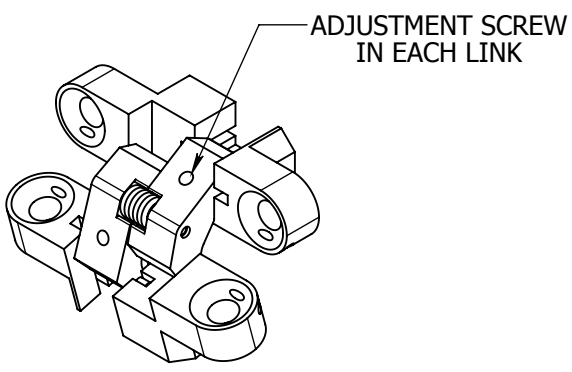
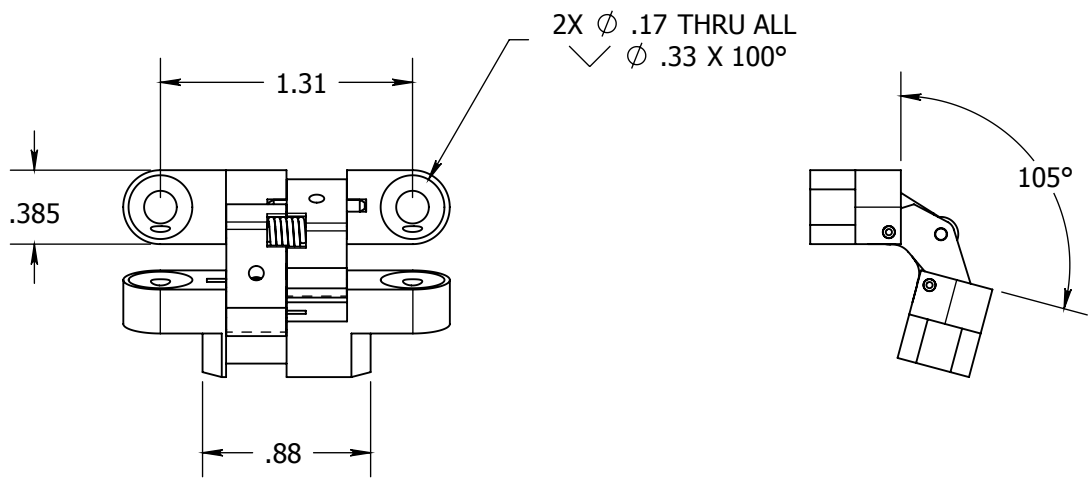
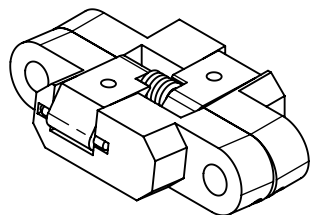


THE INFORMATION CONTAINED IN THIS DRAWING IS THE SOLE PROPERTY OF Saint Louis Designs, Inc. ANY REPRODUCTION IN PART OR WHOLE WITHOUT THE WRITTEN PERMISSION OF Saint Louis Designs, Inc. IS PROHIBITED.

REVISIONS		DATE
IR	INITIAL RELEASE	6/15/2009



PN: SH105-A-OPEN



PN: SH105-A-CLOSE

- NOTES:**
1. USE THE -OPEN MODEL WHERE FORCE WANTED IN THE OPEN DIRECTION
 2. USE THE -CLOSE MODEL FOR SELF CLOSING HINGE.
 3. INSTALL USING NAS514P832 SCREW (4X) OR EQUIV.
 4. MAXIMUM OPEN ANGLE 105 DEGREES FOR BOTH -CLOSE & -OPEN.
 5. STANDARD FINISH: BLACK ANODIZE
 6. USE 0.035" HEX DRIVER TO REDUCE OPEN ANGLE
 7. MINIMUM PANEL THICKNESS 0.50"

UNLESS OTHERWISE SPECIFIED:
 DIMENSIONS ARE IN INCHES
 SURFACE FINISH: 32 RMA
 TOLERANCES: LINEAR:
 X.XX= ±0.010", X.XXX= ±0.005"
 ANGULAR: ±1°

FINISH:
BLACK ANODIZE

DEBUR AND
 BREAK SHARP
 EDGES

Saint Louis Designs, Inc
 209 E. Ben White Blvd, Ste 107, Austin, TX 78704
 512-472-4711, www.saintlouisdesigns.com

NAME	SIGNATURE	DATE			
DRAWN MSTL		6/2009			
CHK'D					
APPV'D					
MFG					
Q.A					

TITLE: SPRING LOADED HINGE ADJUSTABLE	
DWG NO.	A4
SCALE: 1:1	SHEET 1 OF 1

MATERIAL:
Al 7075-T6
 WEIGHT: 0.04