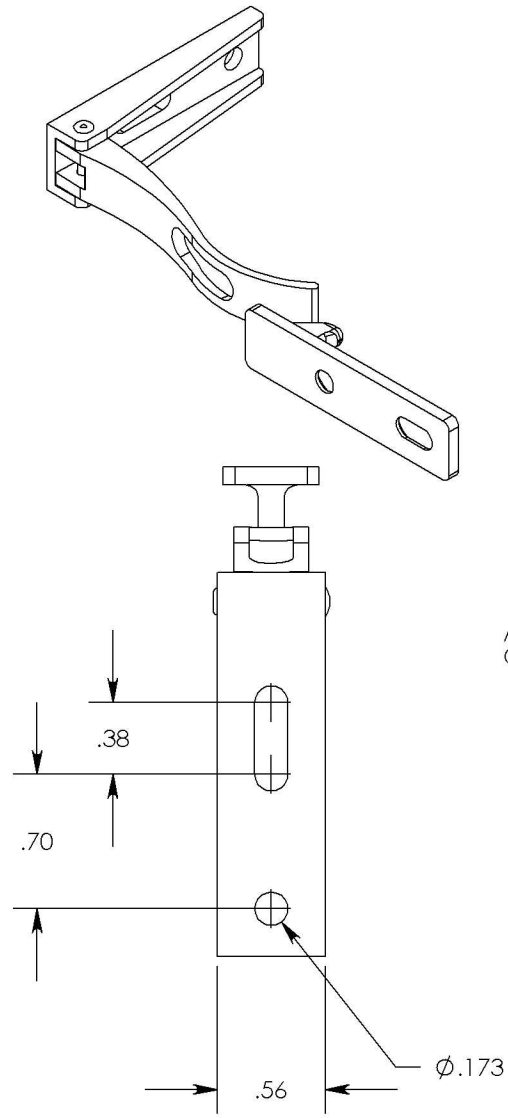


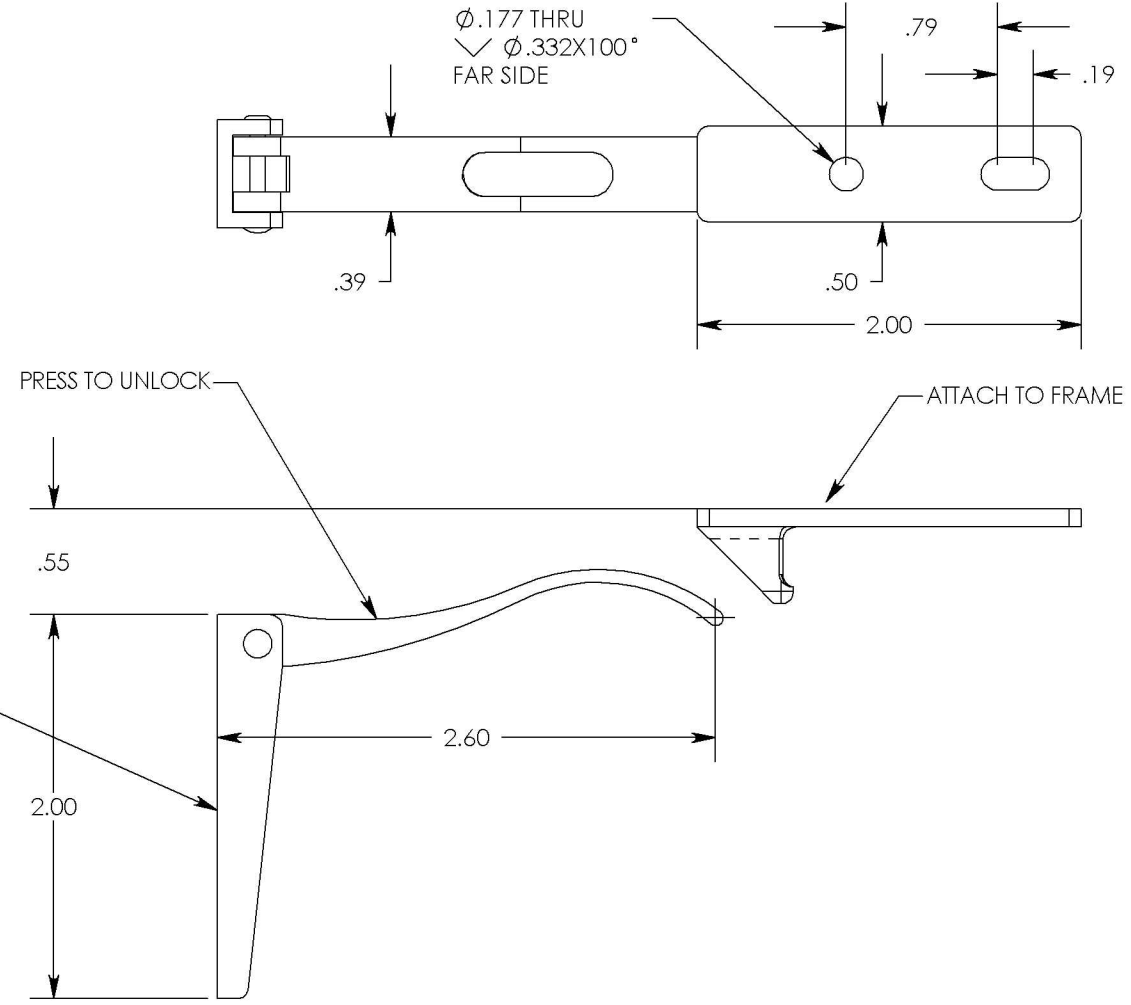
THE INFORMATION CONTAINED IN THIS DRAWING IS THE SOLE PROPERTY OF Saint Louis Designs, Inc. ANY REPRODUCTION IN PART OR WHOLE WITHOUT THE WRITTEN PERMISSION OF Saint Louis Designs, Inc. IS PROHIBITED.

REVISIONS		DATE
IR	INITIAL RELEASE	

D
C
B
A



ATTACH TO DOOR OR DRAWER



UNLESS OTHERWISE SPECIFIED DIMENSIONS ARE IN INCHES TOLERANCES ARE: .XX = $\pm .010$.XXX = $\pm .005$ ANGULAR = $\pm 1^\circ$ SURFACE = 32 RMA OR BETTER	CAD GENERATED DRAWING. DO NOT MANUALLY UPDATE.		Saint Louis Designs, Inc. P.O. BOX 3400, AUSTIN, TX 78764 (800) 431-6684, st-louis@texas.net	
	APPROVAL	DATE		
MATERIAL Al 6061-T6 QQ-A-200/8 QQ-A-200/16 or ASTM-B-221 QQ-A-250/11 or ASTM-B-209	DRAWN	MSTL	10/5/2002	MINI-BLIND SECONDARY SPRING CATCH W/ INLINE STRIKE WEIGHT: 18 Grams STATIC LOAD: TBD
	CHECKED			
FINISH BLACK ANODIZE MIL-A-8625F TYPE 2, CLASS 2				SIZE PART # A SC1070
DO NOT SCALE DRAWING		SCALE:	CAD FILE:	SHEET 1 OF 1

8 7 6 5 4 3 2 1